

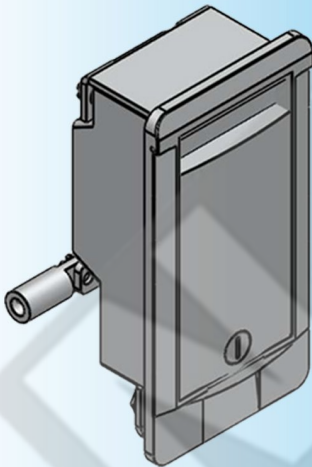
For Product Step File or 3D Model Send a Request Mail To info@nrack.com



Photo View

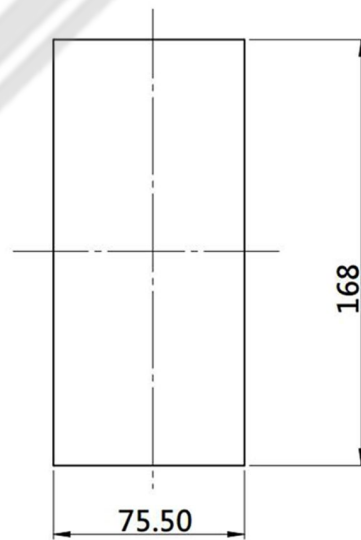
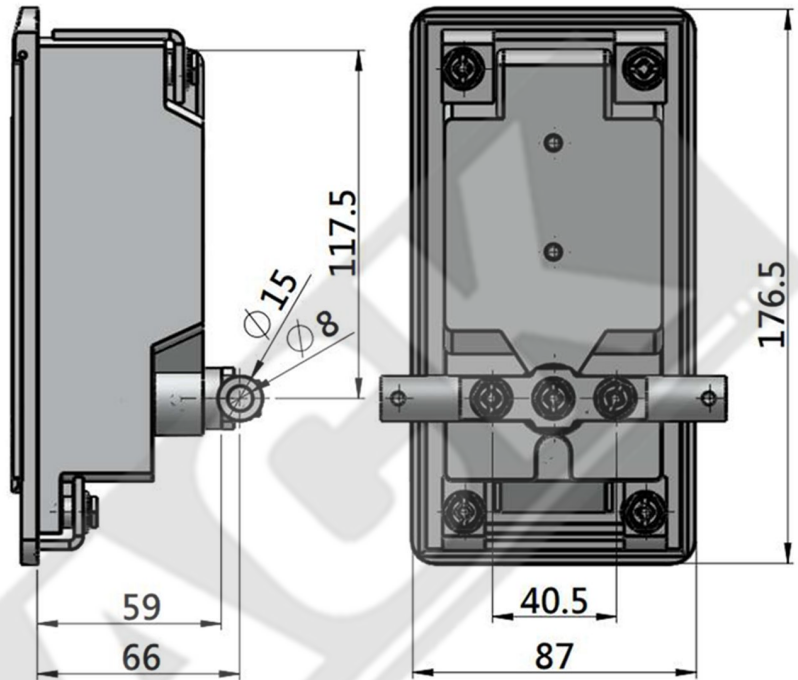


3D Rendered View



**MSH - 01**

- Material: Zinc die-casting body
- Zinc plating cam, fixing parts
- Panel thickness: 1~4.5mm
- Finish: Gray or black color



cut out

Product Number		Weight (g)	Lot
Black powder coated	MSH- 01.3	896	25
Gray powder coated	MSH- 01.9	896	25